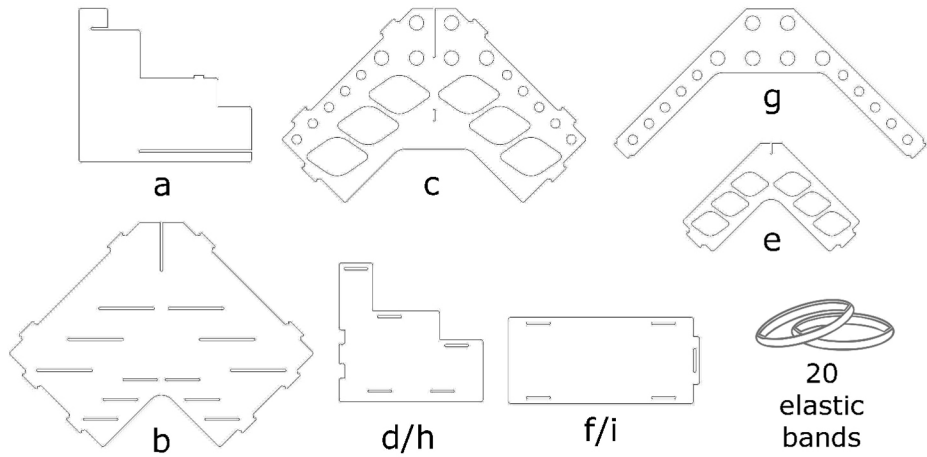
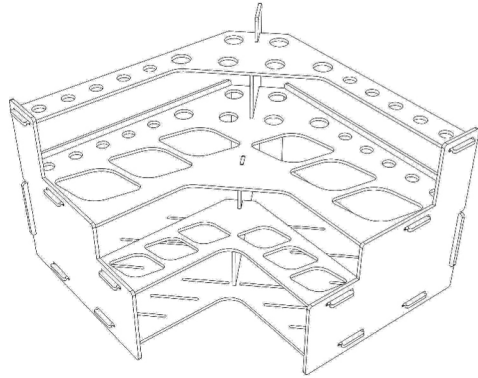


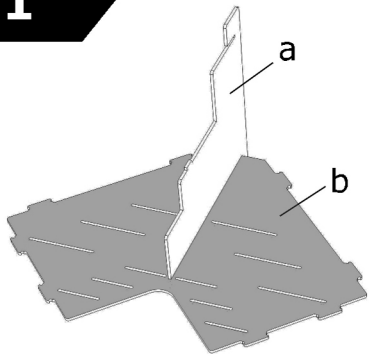
Assembly Guide

MEZZO ANGOLO

Art Supply Storage - Corner

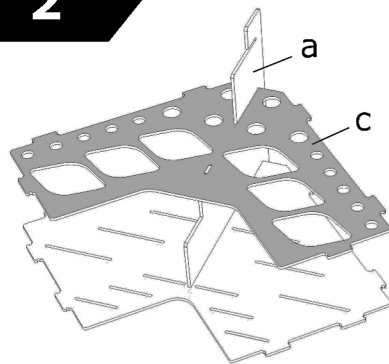


1



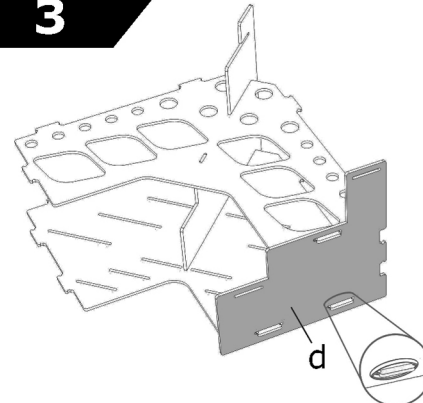
slide **b** into center slot **a**

2



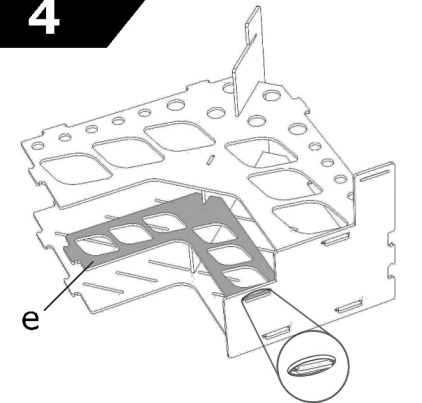
slot **c** onto center stand **a**

3



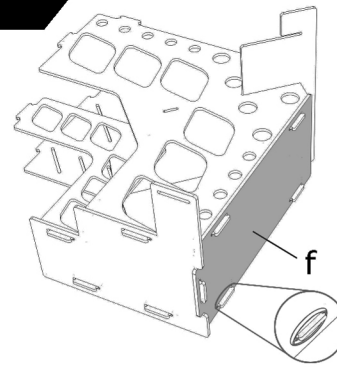
use elastics to attach **d** at end

4



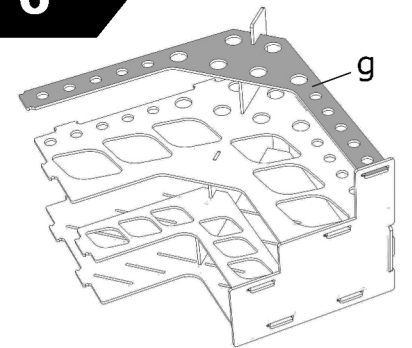
slot **e** at center & elastic to end

5



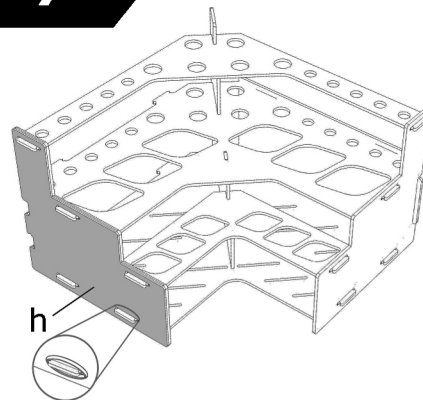
use elastics to attach **f** at back

6



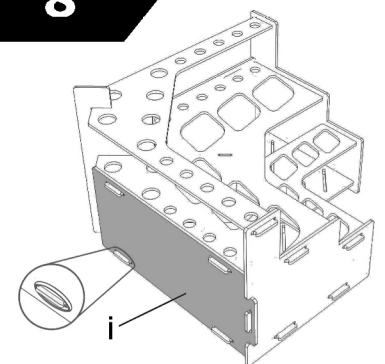
slot **g** at center & elastic to end

7



use elastics to attach **h** at end

8

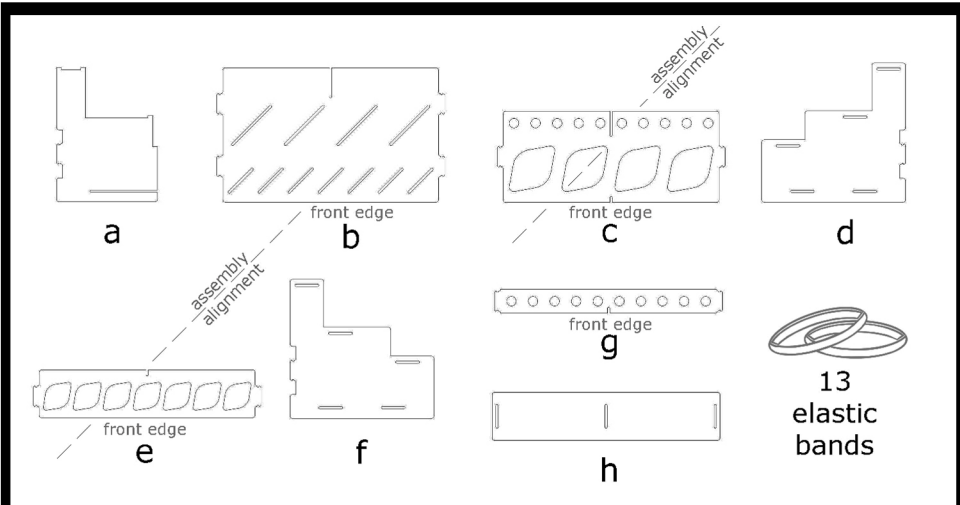
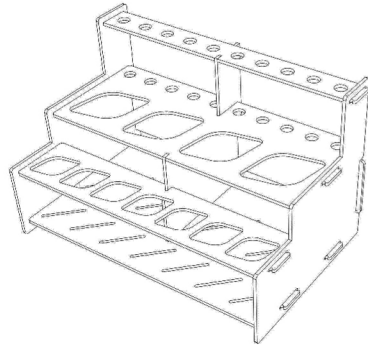


use elastics to attach **i** at back

Assembly Guide

MEZZO DRITTO

Art Supply Storage - Linear



1

slide **b** into center slot **a**

2

slot **c** onto center stand **a**

3

use elastics to attach **d** at end

4

slot **e** at center & elastic to end

5

use elastics to attach **f** at end

6

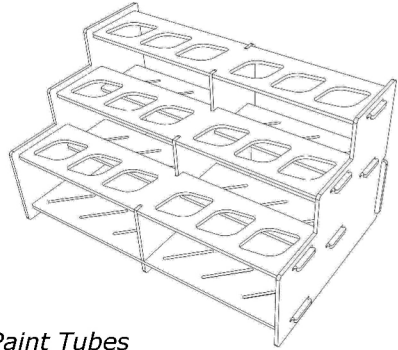
slot **g** at center, flex to fit then use elastics at each end

7

use elastics to attach **h** at back

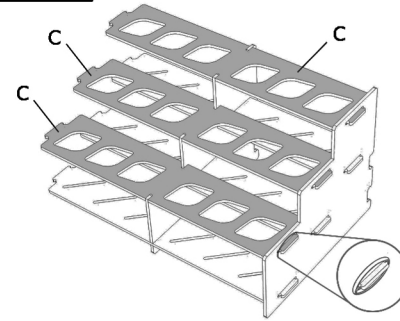
Assembly Guide

MEZZO
PICCOLO



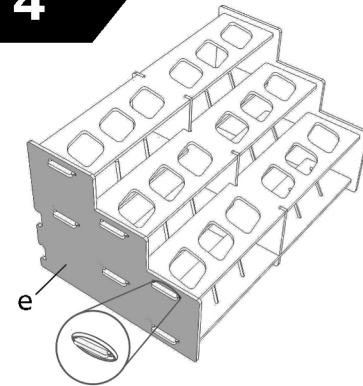
Art Supply Storage - 18 Small Paint Tubes

3



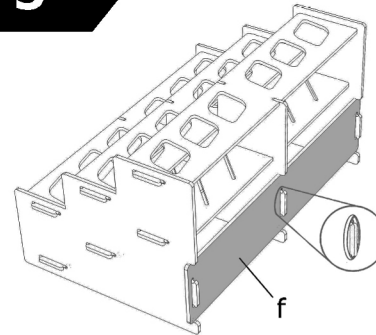
slot **c** (x3) at center
& elastics at ends

4

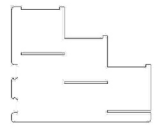


use elastics to attach **e** to end

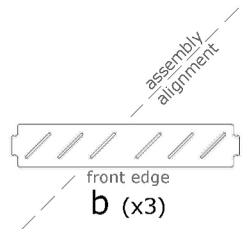
5



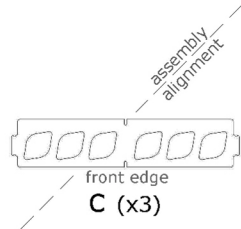
use elastics to attach **f** at back



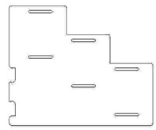
a



front edge
b (x3)



front edge
c (x3)



d/e

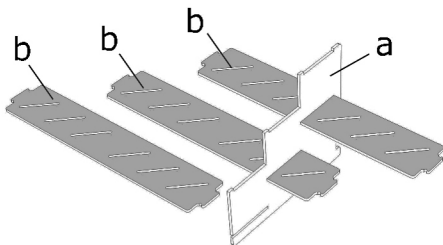


f



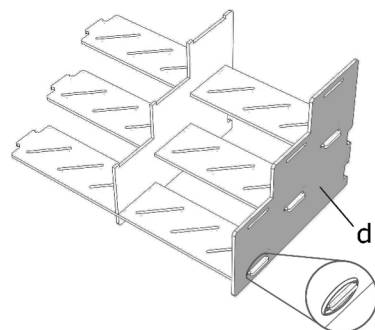
15
elastic
bands

1



slide **b** (x3) into center **a** slots

2



use elastics to attach **d** to end